
	Standard No.	MODEL	NAME	REV.	PAGE
	PL-LCDM4000-002	LCDM-4000	Product Spec.	1.03	1 OF 7

# Product Specification


MODEL : LCDM-4000  
 REV. : 1.03  
 DATE : 2008. 3. 27



	Standard No.	MODEL	NAME	REV.	PAGE
	PL-LCDM4000-002	LCDM-4000	Product Spec.	1.03	2 OF 7


### Revision History

Ver.	Date	Content		Manager
		Cause of Revision	Details	
1.01 1.02 1.03	2005.05.01 2005.11.23 2008.03.27	Released Rated consuming current Dip Switch Description Added		

	Standard No.	MODEL	NAME	REV.	PAGE
	PL-LCDM4000-002	LCDM-4000	Product Spec.	1.03	3 OF 7

## Contents

<b>1. Preview</b> .....	<b>4</b>
<b>2. Features</b> .....	<b>4</b>
<b>3. Main Specification</b> .....	<b>4</b>
<b>4. Layout</b> .....	<b>5</b>
<b>5. Connector Spec.</b> .....	<b>6</b>
5-1 Power Connector .....	6
5-2 Communication Connector .....	6
5-3 Serial Communication Spec.....	6
<b>6. Dip Switch Assignment</b> .....	<b>7</b>

	Standard No.	MODEL	NAME	REV.	PAGE
	PL-LCDM4000-002	LCDM-4000	Product Spec.	1.03	4 OF 7

## 1. Preview


LCDM-4000 is the cash-dispensing unit that can be applied to ATM and notes exchanger for retail market. The main function is to dispense the exact number of banknotes in the cassette by a customer's request and to transfer to the customer automatically.

## 2. Features

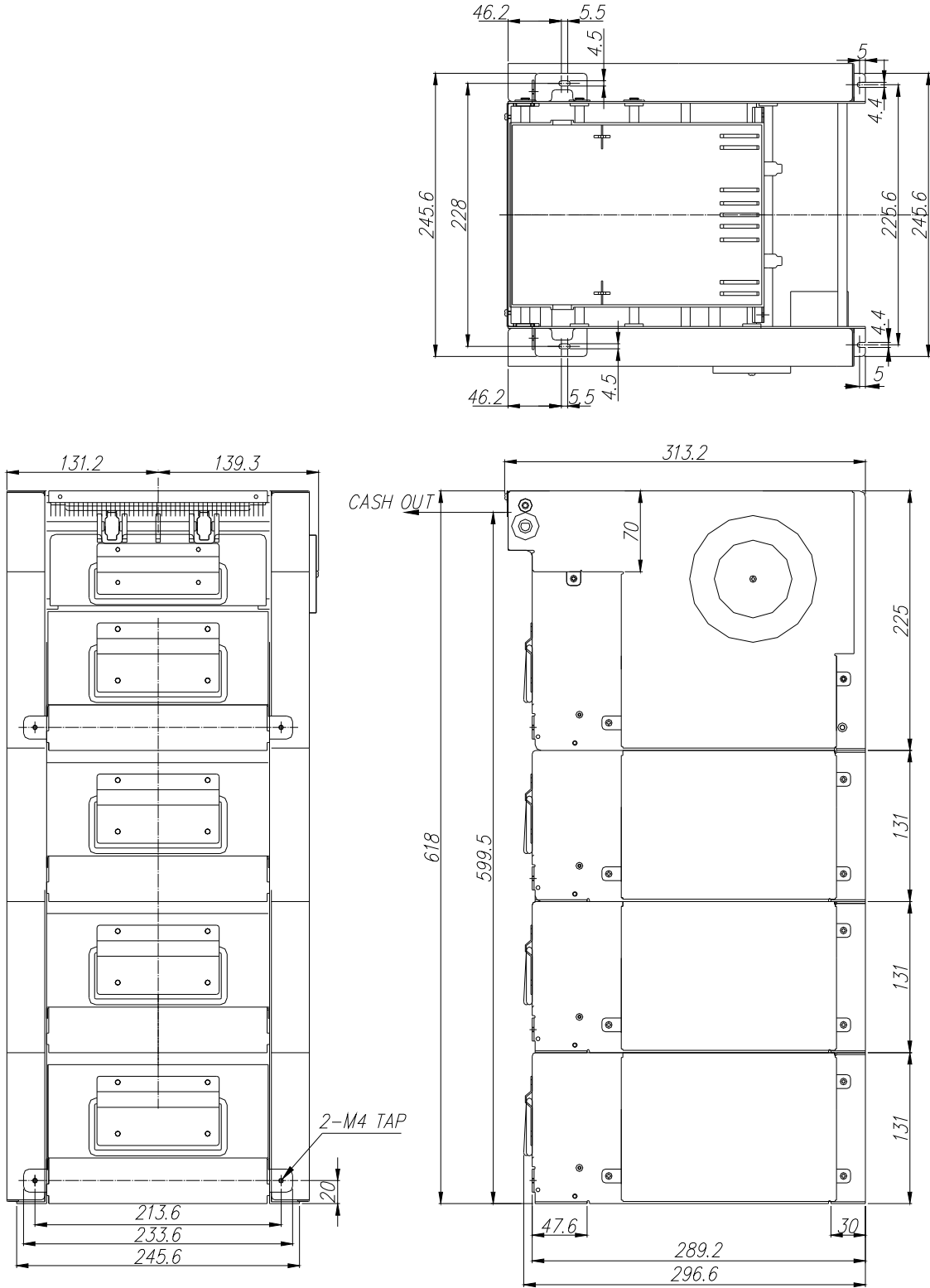
- To separate notes by friction rollers
- To prevent from double dispensing case by mechanical double detect mechanism
- To implement mold guides and paths to minimize jam occurrence
- To maximize convenience in maintenance or clearing by opening guide structure
- To realize so compact and slim size to be easily applied to even small space
- To speed at a rate of 4 notes/sec
- To dispense 4 denomination
- After power failure, bills on the path are rejected to reject tray when power turns on again (Auto Reject Function)

## 3. Main Specification


1. Denomination	4 Denomination
2. Cassette Capacity	approx. 1,000 notes (123mm)
3. Dispensing Speed	4 notes/sec
4. Usable Note Size	Width: 100 ~ 162mm Height: 62 ~ 78mm
5. Double Feeding Detection	Mechanical type
6. Reject Capacity	About 30 notes
7. Access Type	Front Access Type
8. Dimension (unit: mm)	310.2(D) x 618(H) x 270.5(W)
9. Near-end detection (Option)	About 10 ~ 30 notes ( by setting dip switch, refer to Chapter 6)
10. Interface	RS 232C
11. Rated Voltage	DC24V±10%
12. Rated Consuming Current	Load current, continuous MIN - 0.16A MAX - 4.1A Load current, peak Max - 5.4A
13. Operation Temperature	+ 5°C ~ +40°C
14. Storage Temperature	-10°C ~ +60°C
15. Operation Humidity	20% ~ 80% RH
16. Storage Humidity	10% ~ 90% RH

	Standard No.	MODEL	NAME	REV.	PAGE
	PL-LCDM4000-002	LCDM-4000	Product Spec.	1.03	5 OF 7

#### 4. Layout



(210mm × 297mm)

	Standard No.	MODEL	NAME	REV.	PAGE
	PL-LCDM4000-002	LCDM-4000	Product Spec.	1.03	6 OF 7

## 5. Connector Spec.

### 5-1 Power Connector

The power connector is positioned at the bottom of the main controller.  
Connector on Controller : MOLEX 5566VWO-02  
Matching Connector : MOLEX 5557D-02

PIN No.	NAME
1	+24V
2	GND


### 5-2 Communication Connector

The communication connector is positioned at the bottom of main controller.  
It is 9-way and D-type connector.

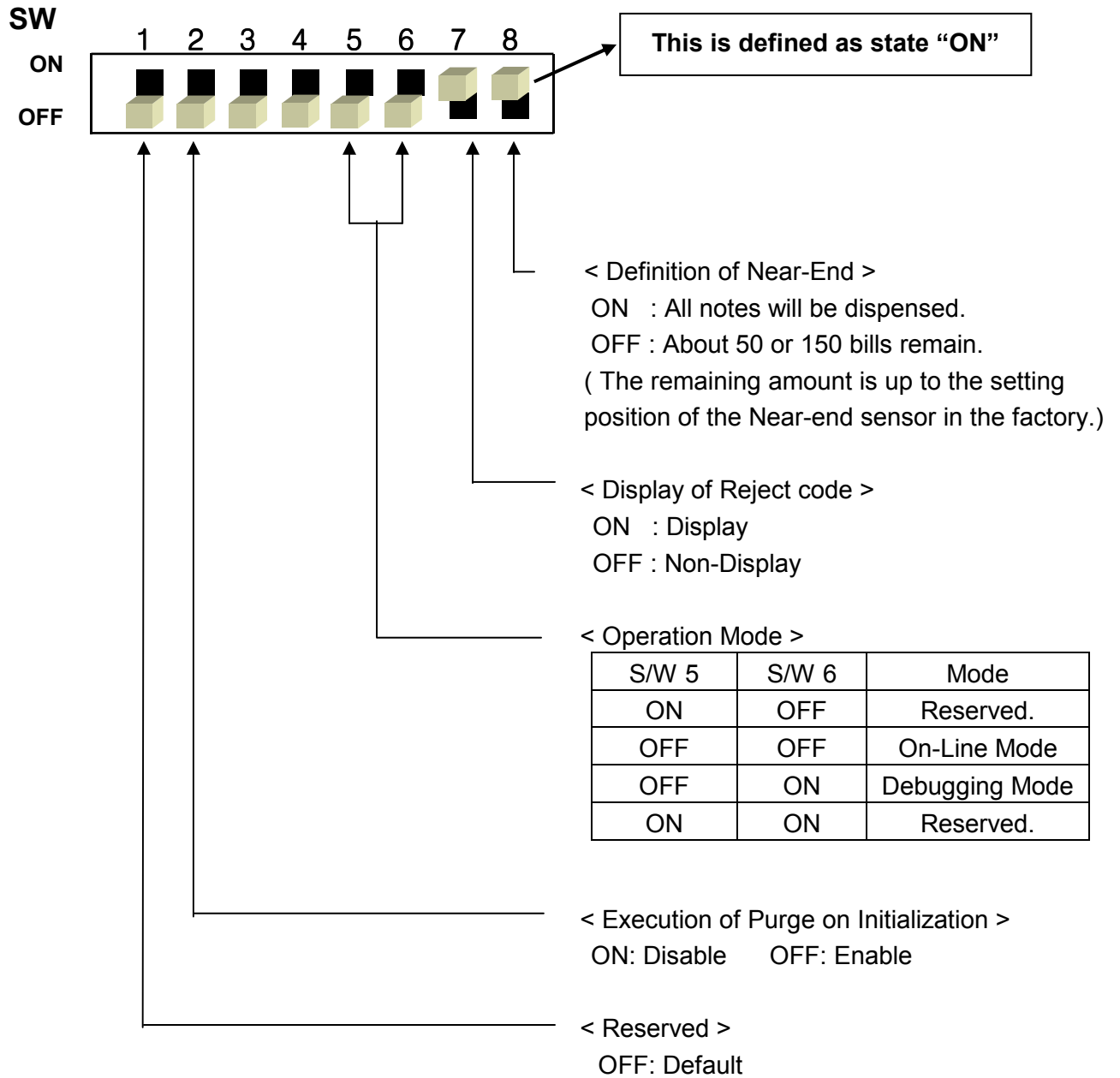
PIN NO.	NAME	FUNCTION
1		Not Used
2	RXD	Received Data
3	TXD	Transmitted Data
4		Not Used
5	GND	System Gnd
6		Not Used
7		Not Used
8		Not Used
9		Not Used

### 5-3 Serial Communication Spec.

Baud rate	9600 bps
Data bits	8 bits
Parity	No parity
Stop bits	1 stop bit

	Standard No.	MODEL	NAME	REV.	PAGE
	PL-LCDM4000-002	LCDM-4000	Product Spec.	1.03	7 OF 7

## 6. Dip Switch Assignment



**CAUTION!**

Please turn on power again after changing the Dip Switch.